

Tractor Telehandlers

MF44.7, MF44.9

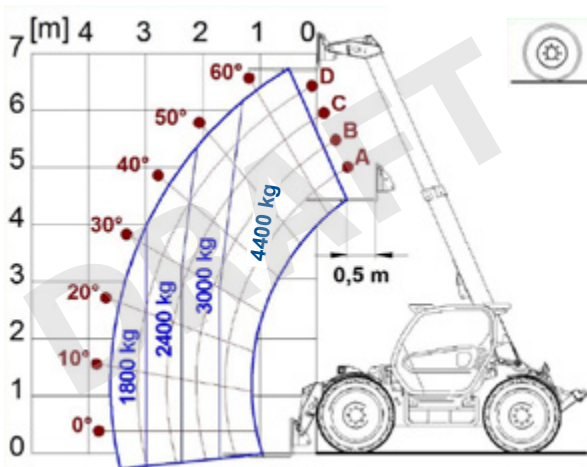




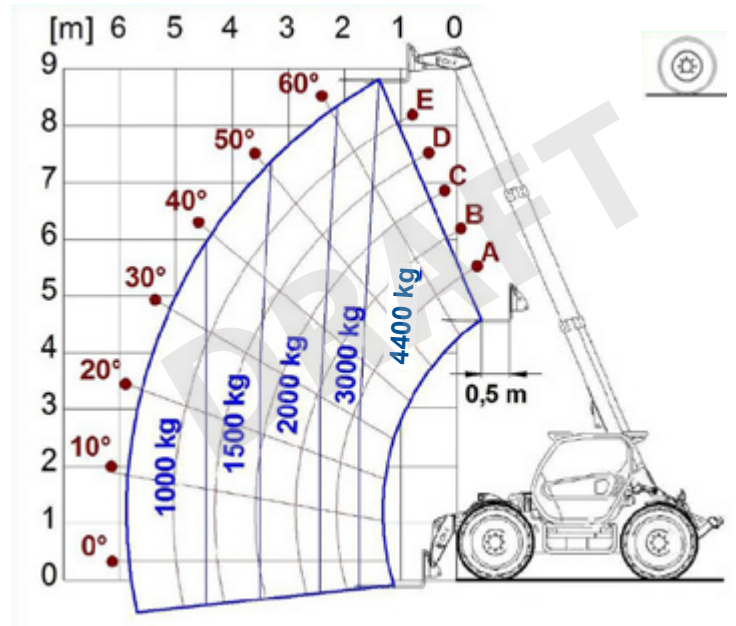
PERFORMANCE AND FEATURES	MF44.7CS-170-CVT	MF44.9CS-170-CVT	
Performance			
Total unladen weight (kg)	9150	9530	
Maximum capacity (kg)	4400	4400	
Lifting height (m)	6.8	8.8	
Maximum reach (m)	3.6	5.8	
Maximum operating height (m)	6.8	8.8	
Maximum operating reach (m)	1.7	1.7	
Capacity at maximum height (kg)	4400	4400	
Capacity at maximum reach (kg)	1900	1000	
Lateral boom movement (mm)	-	-	
Tilting correction (%)	± 8	± 8	
Boom sections	2	3	
PowerTrain			
Turbo motor	FPT NEF45	FPT NEF45	
Displacement/cylinders	4500/4	4500/4	
Engine Power (kW/HP)	125/170	125/170	
Anti-pollution technology	STAGE V, SCR+DPF+DOC	STAGE V, SCR+DPF+DOC	
Reversible fan	○	○	
Maximum speed (km/h)	40	40	
Fuel tank (l)	140	140	
AdBlue tank (l)	18	18	
Hydrostatic transmission	CVTronic	CVTronic	
EPD	Plus	Plus	
Auto-revving joystick	●	●	
Axles - Reducers	Axial, Epicyclic	Axial, Epicyclic	
Machine brakes	Dry discs	Dry discs	
Automatic parking brake	●	●	
Hydraulic			
Hydraulic pump	LS+FS	LS+FS	
Flow rate/pressure (l/min - bar)	150 - 210	150 - 210	
Hydraulic tank	100	100	
Hydraulic outlet at the top of the boom	●	●	
Rear hydraulic outlets	4 - ●	4 - ●	
Cab			
Cab configuration	Premium	Premium	
ASCS Adaptive Stability Control System	Full	Full	
FOPS LIV II cab	●	●	
ROPS cab	●	●	
Cab commands	Electronic joystick	Electronic joystick	
Tilting Cab	-	-	
Reverse shuttle	Dual reverse	Dual reverse	
Configuration			
Cab suspension	●	●	
Boom suspension	○	○	
Suspension on axles	-	-	
Work headlights on cab	●	●	
Sun blind	●	●	
Tac-lock	●	●	
Provision for a platform	○	○	
Two floating forks	●	●	
Inching-Control	●	●	
Four-wheel drive	●	●	
Four-wheel steering	●	●	
Three steering modes	●	●	
Standard tyres	500/70-R24	500/70-R24	
Optional tyres	600/55-26.5	600/55-26.5	
Stabilisers	-	-	
Turret rotation	-	-	
Type approval as an agricultural tractor	●	●	
Approval with PNEUMATIC braking	○	○	
Approval with HYDRAULIC braking	○	○	
PTO	●	●	
3-point linkage	●	●	

- Not Available
● Standard
○ Optional

Load charts



MF44.7CS-170-CVT

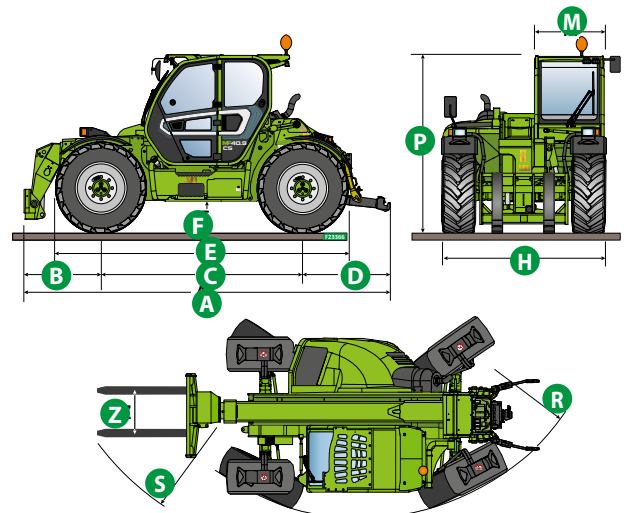


MF44.9CS-170-CVT

Dimensions



	MF44.7CS 170-CVT	MF44.9CS 170-CVT	
A (mm)	5370	5570	
B (mm)	1140	1340	
C (mm)	2950	2950	
D (mm)	1280	1280	
E (mm)	4270	4270	
F (mm)	440	440	
H (mm)	2400	2400	
M (mm)	1010	1010	
P (mm)	2590	2590	
R (mm)	4090	4090	
S (mm)	4860	5020	
Z (mm)	850	850	



Your Merlo dealer



MERLO S.P.A.

Via Nazionale, 9

12010 S. Defendente di Cervasca, (Cuneo) Italia

Tel. +39 0171 614111

Fax +39 0171 684101

info@merlo.com

www.merlo.com

