

# Medium Capacity Telehandlers

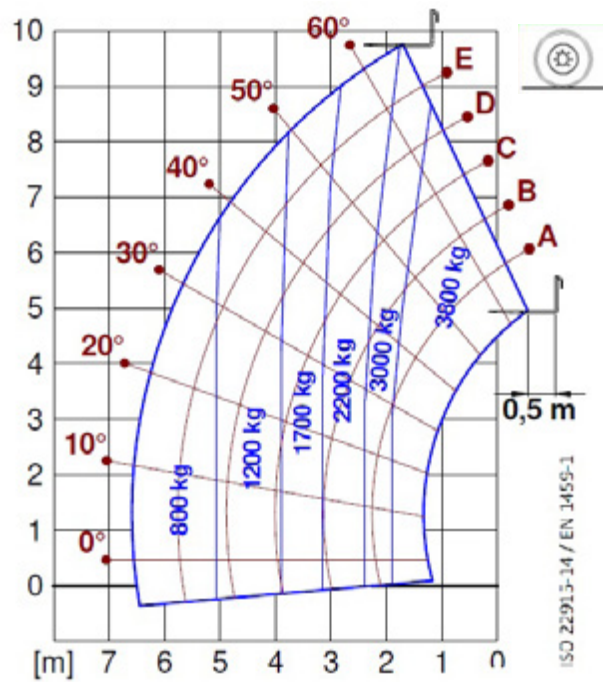
TF38.10TT-145





PERFORMANCE AND FEATURES	TF38.10 TT-145	TF38.10 TT CS-145	TF38.10 TT CS-145-CVT
<b>Performance</b>			
Total unladen weight (kg)	8500	8800	8800
Maximum capacity (kg)	3800	3800	3800
Lifting height (m)	9,7	9,7	9,7
Maximum reach (m)	6,6	6,6	6,6
Maximum operating height (m)	8,6	8,6	8,6
Maximum operating reach (m)	1,9	1,9	1,9
Capacity at maximum height (kg)	3000	3000	3000
Capacity at maximum reach (kg)	800	800	800
Lateral boom movement (mm)	± 180	± 180	± 180
Tilting correction (%)	± 8	± 8	± 8
Boom sections	3	3	3
<b>PowerTrain</b>			
Turbo motor	DEUTZ TCD3.6	DEUTZ TCD3.6	DEUTZ TCD3.6
Displacement/cylinders	3600/4	3600/4	3600/4
Engine Power (kW/HP)	105/143	105/143	105/143
Anti-pollution technology	STAGE V, SCR+DPF+DOC	STAGE V, SCR+DPF+DOC	STAGE V, SCR+DPF+DOC
Reversible fan	●	●	●
Maximum speed (km/h)	40	40	40
Fuel tank (l)	140	140	140
AdBlue tank (l)	18	18	18
Hydrostatic transmission	● - 2V	● - 2V	CVTronic
EPD	Plus	Plus	Plus
Auto-revving joystick	●	●	●
Axles - Reducers	Drop portal - RR700	Drop portal - RR700	Drop portal - RR700
Machine brakes	Dry disc	Dry disc	Dry disc
Automatic parking brake	●	●	●
<b>Hydraulic</b>			
Hydraulic pump	LS+FS	LS+FS	LS+FS
Flow rate/pressure (l/min - bar)	145-250	145-250	145-250
Hydraulic tank	100	100	100
Hydraulic outlet at the top of the boom	●	●	●
Rear hydraulic outlets	○	○	○
<b>Cab</b>			
Cab configuration	ECO	ECO	ECO
ASCS Adaptive Stability Control System	Light	Light	Light
FOPS LIV II cab	●	●	●
ROPS cab	●	●	●
Cab commands	Electronic joystick	Electronic joystick	Electronic joystick
Tilting Cab	-	-	-
Reverse shuttle	Dual reverse	Dual reverse	Dual reverse
<b>Configuration</b>			
Cab suspension	-	●	●
Boom suspension	○	○	○
Suspension on axles	-	-	-
Work headlights on cab	●	●	●
Sun blind	○	○	○
Tac-lock	●	●	●
Provision for a platform	○	○	○
Two floating forks	●	●	●
Inching-Control	●	●	●
Four-wheel drive	●	●	●
Four-wheel steering	●	●	●
Three steering modes	●	●	●
Standard tyres	400/70-24"	400/70-24"	400/70-24"
Optional tyres	460/70-R24	460/70-R24	460/70-R24
Stabilisers	-	-	-
Turret rotation	-	-	-
Type approval as an agricultural tractor	○	○	○
Approval with PNEUMATIC braking	○	○	○
Approval with HYDRAULIC braking	○	○	○
PTO	-	-	-
3-point linkage	-	-	-

- Not Available  
● Standard  
○ Optional

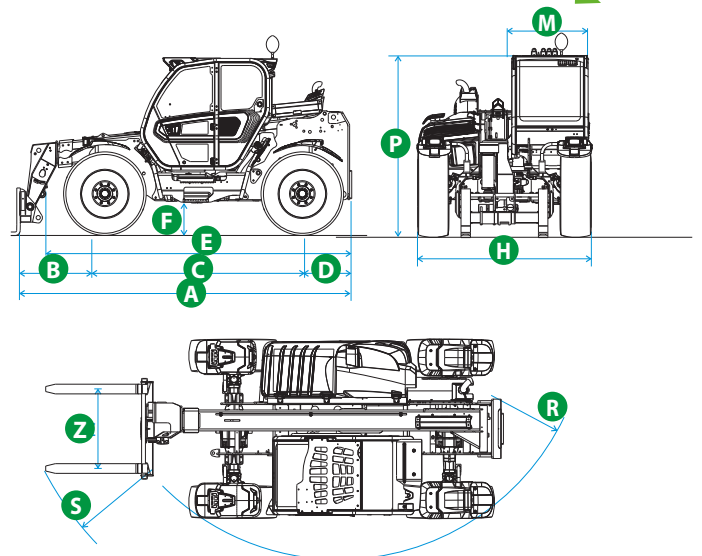


TF38.10TT

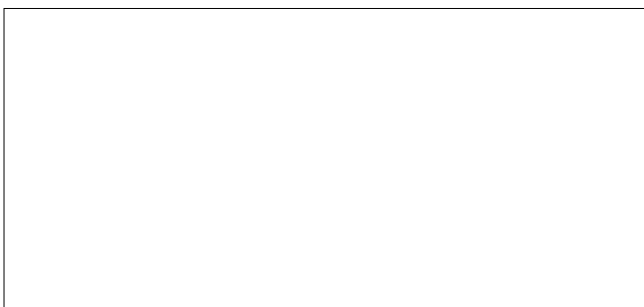
Dimensions



	TF38.10TT		
A (mm)	4760		
B (mm)	1245		
C (mm)	2810		
D (mm)	705		
E (mm)	4104		
F (mm)	460		
H (mm)	2310		
M (mm)	1010		
P (mm)	2530		
R (mm)	3985		
S (mm)	4800		
Z (mm)	850		



**Your Merlo dealer**



**MERLO S.P.A.**

Via Nazionale, 9

12010 S. Defendente di Cervasca, (Cuneo) Italia

Tel. +39 0171 614111

Fax +39 0171 684101

[info@merlo.com](mailto:info@merlo.com)

[www.merlo.com](http://www.merlo.com)

