

Medium Capacity Telehandlers

Turbofarmer 38.10TT



**PERFORMANCE AND FEATURES****TF38.10TTCS-145-CVTRONIC****TF38.10TTCS-136****TF38.10TT-136****Performance**

Unladen weight (kg)	8800	8800	8500
Maximum load capacity (kg)	3800	3800	3800
Lift height (m)	9,7	9,7	9,7
Maximum reach (m)	6,6	6,6	6,6
Lift height at max. load capacity (m)	8.6	8.6	8.6
Reach at max. load capacity (m)	1,9	1,9	1,9
Load capacity at max. lift height (m)	3000	3000	3000
Load capacity at max. reach (kg)	800	800	800
Boom side-shift (mm)	+/- 180	+/- 180	+/- 180
Frame levelling (%)	+/- 8	+/- 8	+/- 8
Boom section	3	3	3

**Powertrain**

Engine	Deutz TCD 3.6	Perkins 904J	Perkins 904J
Range/Cylinders	3600/4	3600/4	3600/4
Engine power (kW/HP)	105/143	100 / 136	100 / 136
Anti-pollution technology	Stage V - SCR + DPF + DOC	Stage V - SCR + DPF + DOC	Stage V - SCR + DPF + DOC
Reversible Fan	●	●	●
Maximum speed (km/h)	40	40	40
Fuel tank capacity (l)	140	140	140
AdBlue tank capacity (l)	18	18	18
Hydrostatic transmission	CVTronic	●	●
EPD	PLUS	PLUS	PLUS
Joystick autoaccelerante	●	●	●
Axles	Drop portal	Drop portal	Drop portal
Reducers	RR 700	RR 700	RR 700
Brakes	Dry discs	Dry discs	Dry discs
Automatic parking brake	●	●	●

**Hydraulic**

Hydraulic pump	LS+FS	LS+FS	LS+FS
Delivery / pressure (L / MIN - BAR)	145-250	139-250	139-250
Hydraulic oil tank capacity (l)	100	100	100
Auxiliary hydraulic service on boom	●	●	●
Rear service line	○	○	○

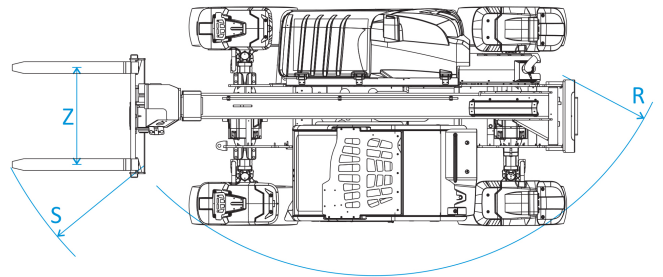
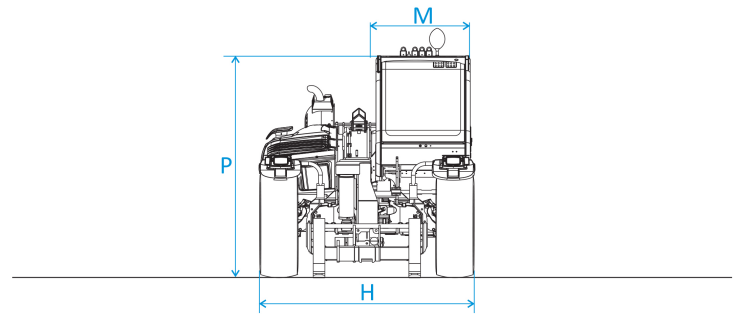
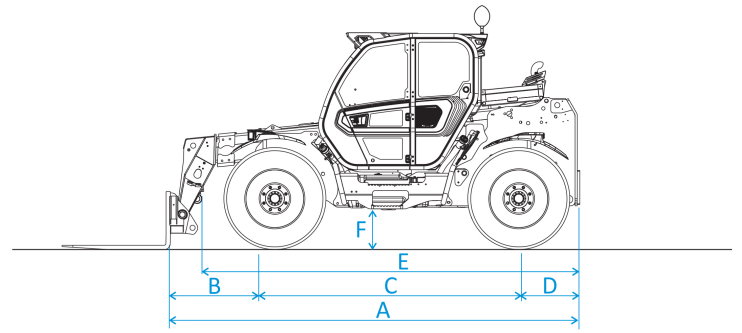
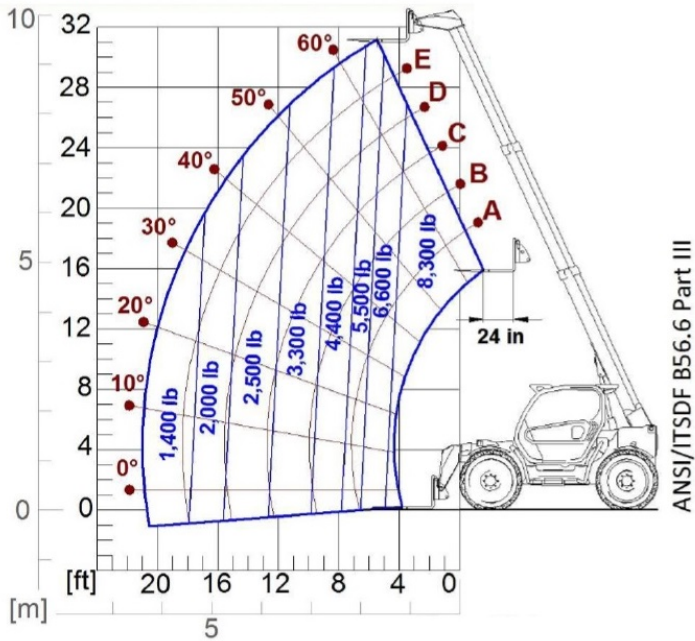
**Cab**

Cab finishing	Standard	Standard	Standard
ASCS	Light	Light	Light
FOPS II Cab	●	●	●
ROPS Cab	●	●	●
Controls	Electronic joystick control	Electronic joystick control	Electronic joystick control
Tilting cab	—	—	—
Reverse shuttle	Dual reverse	Dual reverse	Dual reverse

**Configuration**

Hydropneumatic Suspension CS Merlo	●	●	—
Hydropneumatic Suspension BSS Merlo	○	○	○
Hydropneumatic Suspension EAS Merlo	—	—	—
Work lights on cab	●	●	●
Sun-shade in the cab	○	○	○
Tac-lock	●	●	●
Pre-arrangement for aerial work platform	○	○	○
Two floating forks	●	●	●
Pedal Inching-Control	●	●	●
Permanent four-wheel drive	●	●	●
All wheel steering	●	●	●
Three steering way	●	●	●
Standard tyres	400/70-24	400/70-24	400/70-24
OPT tyres	460/70-R24	460/70-R24	460/70-R24
Hydraulically controlled stabilizers	—	—	—
Turret rotation	—	—	—
Tractor type approval	○	○	○
Pneumatic brakes (ton)	○	○	○
Hydraulic brakes (ton)	○	○	○
PTO	-	-	-

- not available
- standard
- optional



24670

Dimensions



	TF38.10TTCS-145-CVTRONIC	TF38.10TTCS-136	TF38.10TT-136
A - Length	4760	4760	4760
C - Wheelbase	2810	2810	2810
F - Ground clearance	460	460	460
H - Width	2310	2310	2310
M - Cabin width	1010	1010	1010
P - Height	2530	2530	2530
R - Turning radius at wheels	3985	3985	3985
S - Turning radius at forks	4800	4800	4800

Your Merlo dealer

MERLO S.P.A.

Via Nazionale, 9

12010 S. Defendente di Cervasca, (Cuneo) Italia

Tel. +39 0171 614111

Fax +39 0171 684101

info@merlo.com

www.merlo.com



